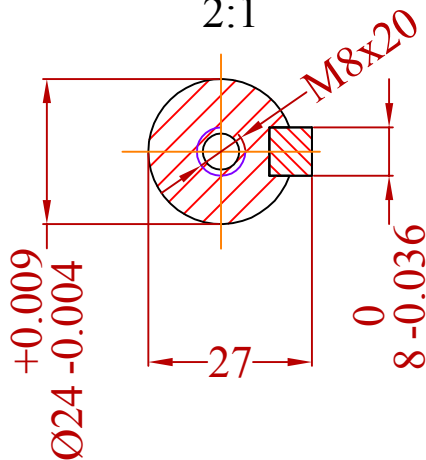



A-A
2:1



			Date	Signature	 VALIADIS HELLENIC MOTORS
		Designed by	24/11/17	St.Karageorgis	
		Checked by			
		Examine by			Design Number : MTAK-171124-2-12
			SCALE 1:2,5	Motor Type :AK90L Mounting :B14A	
Change	Date	Name			Replace the