

K-PMDC Motors





VALIADIS S.A.

Quality Assurance Certificate EN ISO 9001

K-PMDC Motors and drivers: 12 - 48V / 0.25 - 0.90 kW

- NdFeB Magnet Brushed DC Motors
- With Neodymium magnets
 - Compact Design
 - High Power Density
- Terminal Box or Screw output
- Foot or Flange Mounting
- Long Brush life, Excellent Commutation.



M.06.03 Type

Voltage	Output		Speed	Current	Torque	Pro.Class	Working Duty	Cooling Type	Efficiency	Weight
	V	kW								
12	0.25	0.30	1500	25.7	1.6	IP44	S2	IC 410	81.0%	7
12	0.30	0.40	1900	31.1	1.5	IP44	S2	IC 410	80.5%	7
24	0.25	0.33	1000	13.0	2.4	IP44	S2	IC 410	80.0%	7
24	0.25	0.33	2000	13.0	1.2	IP44	S2	IC 410	80.4%	7
24	0.25	0.33	3400	12.7	0.7	IP44	S2	IC 410	81.8%	7
24	0.30	0.40	1500	15.5	1.9	IP44	S2	IC 410	80.9%	7
24	0.37	0.50	2200	18.9	1.6	IP44	S2	IC 410	81.7%	7

M.06.06 Type

Voltage	Output		Speed	Current	Torque	Pro.Class	Working Duty	Cooling Type	Efficiency	Weight
	V	kW								
12	0.25	0.33	750	25.1	3.1	IP 44	S2	IC 410	81.4 %	8
12	0.30	0.40	1100	29.8	2.6	IP 44	S2	IC 410	82.6 %	8
12	0.37	0.50	1500	38.2	2.4	IP 44	S2	IC 410	81.5 %	8
12	0.45	0.60	1800	46.4	2.4	IP 44	S2	IC 410	80.8 %	8
12	0.55	0.75	3000	56.0	1.8	IP 44	S2	IC 410	81.8 %	8
24	0.25	0.33	700	12.9	3.4	IP 44	S2	IC 410	80.9 %	8
24	0.25	0.33	1200	12.6	2.0	IP 44	S2	IC 410	82.7 %	8
24	0.25	0.33	3000	12.7	0.8	IP 44	S2	IC 410	82.1 %	8
24	0.30	0.40	1500	15.3	1.9	IP 44	S2	IC 410	81.5 %	8
24	0.37	0.50	1500	19.0	2.4	IP 44	S2	IC 410	82.0 %	8
24	0.45	0.60	750	23.1	5.7	IP 44	S2	IC 410	81.1 %	8
24	0.45	0.60	1000	23.0	4.3	IP 44	S2	IC 410	81.5 %	8
24	0.50	0.67	1500	25.7	3.2	IP 44	S2	IC 410	81.0 %	8
24	0.60	0.80	1500	31.1	3.8	IP 44	S2	IC 410	80.3 %	8
24	0.60	0.80	3000	30.8	1.9	IP 44	S2	IC 410	81.3 %	8
24	0.75	1.00	1500	38.4	4.8	IP 44	S2	IC 410	81.4 %	8
24	0.75	1.00	2200	37.8	3.3	IP 44	S2	IC 410	82.6 %	8
24	0.75	1.00	3500	38.2	2.0	IP 44	S2	IC 410	81.7 %	8
24	0.90	1.20	4000	46.6	2.1	IP 44	S2	IC 410	80.4 %	8

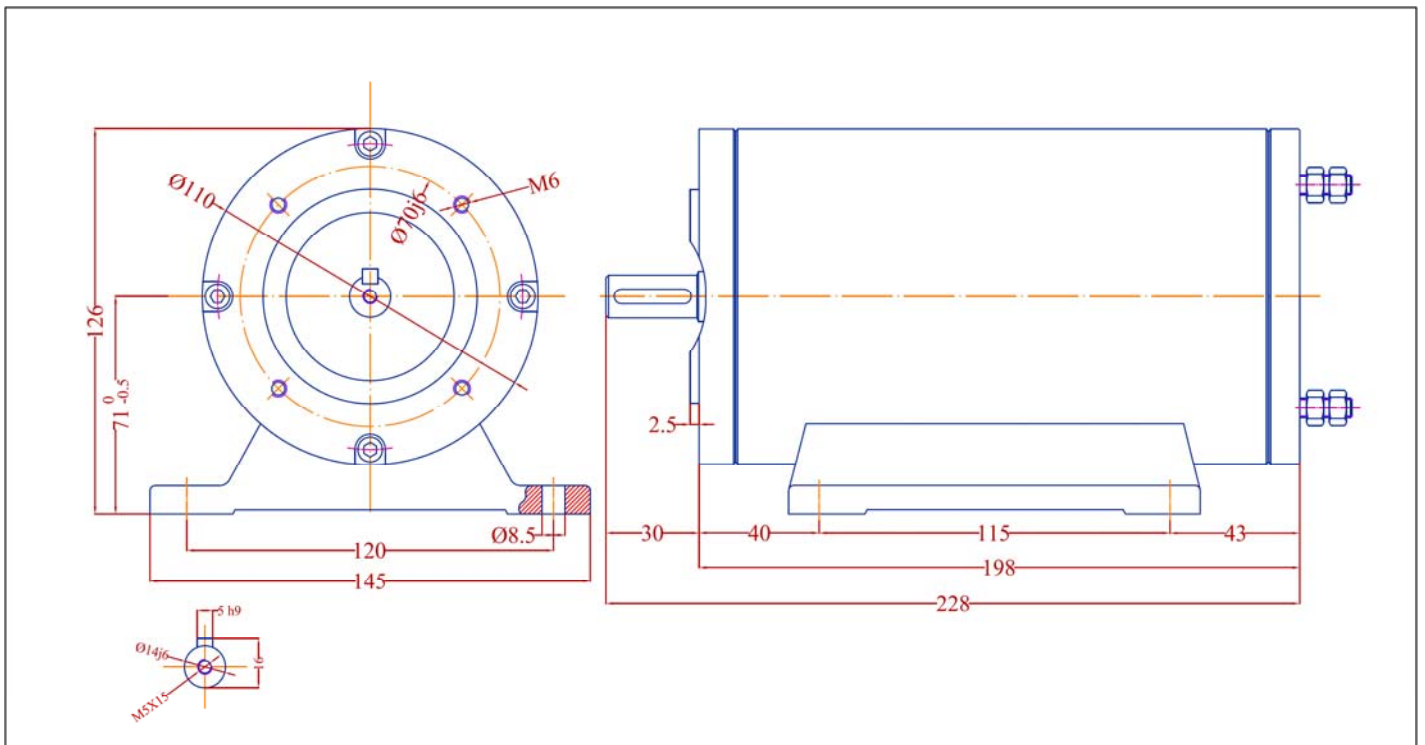
ATHENS : 18, Gr. Labraki Str., 141 23 Likovrisi Tel : +30210-2817217, Fax : +30210-2814277
THESSALONIKI : INDUSTRIAL ARE OF SINDOS., O.T. 48B, 15ⁿ STREET, 570 22 Tel :+302310-796646, Fax :+302310-796645
 e-mail : valiadis@valiadis.gr - <http://www.valiadis.gr>
ROMANIA: 1, Aleea Meseriasilor, Bloc C93, Etaj 2, Ap.16, Sector 6, 061647-Bucharest, ROMANIA
 Tel : ++4021 413 5902, Fax: ++4031 815 6441, ++4031 816 5216
 e-mail: romania@valiadis.gr -<http://www.ac-motors.eu>



VALIADIS S.A.

Quality Assurance Certificate EN ISO 9001

Voltage	Output		Speed	Current	Torque	Pro.Class	Working Duty	Cooling Type	Efficiency	Weight
	V	kW								
48	0.45	0.60	1500	11.4	2.9	IP 44	S2	IC 410	82.2 %	8
48	0.45	0.60	3000	11.5	1.4	IP 44	S2	IC 410	81.5 %	8
48	0.50	0.67	2400	12.6	2.0	IP 44	S2	IC 410	82.7 %	8
48	0.60	0.80	3000	15.3	1.9	IP 44	S2	IC 410	81.5 %	8
48	0.75	1.00	3000	18.8	2.4	IP 44	S2	IC 410	82.9 %	8



ATHENS : 18, Gr. Labraki Str., 141 23 Likovrisi Tel : +30210-2817217, Fax : +30210-2814277
THESSALONIKI : INDUSTRIAL ARE OF SINDOS., O.T. 48B, 15ⁿ STREET, 570 22 Tel :+302310-796646, Fax :+302310-796645
 e-mail : valiadis@valiadis.gr - <http://www.valiadis.gr>
ROMANIA: 1, Aleea Meseriasilor, Bloc C93, Etaj 2, Ap.16, Sector 6, 061647-Bucharest, ROMANIA
 Tel : ++4021 413 5902, Fax: ++4031 815 6441, ++4031 816 5216
 e-mail: romania@valiadis.gr -<http://www.ac-motors.eu>



VALIADIS S.A.

Quality Assurance Certificate EN ISO 9001

K-PMDC Motors and drivers: 12 - 48V / 1.10 - 3.00 Kw

- NdFeB Magnet Brushed DC Motors
- With Neodymium magnets
 - Compact Design
 - High Power Density
- Terminal Box or Screw output
- Foot or Flange Mounting
- Long Brush life, Excellent Commutation.

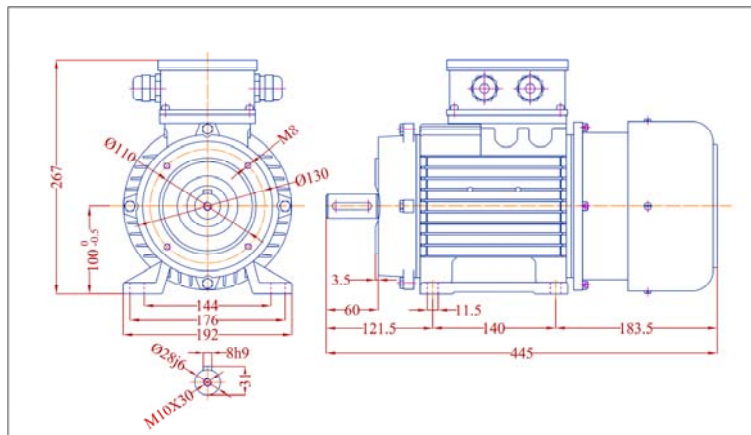


M.10.09 Type

Voltage	Output		Speed	Current	Torque	Pro.Class	Working Duty	Cooling Type	Efficiency	Weight
	V	kW								
12	1.10	1.50	1400	114	7.5	IP44	S2	IC 411	80.7 %	
24	1.50	2.00	1300	77	11.0	IP44	S2	IC 411	81.5 %	
24	2.20	3.00	1500	113	14.0	IP44	S2	IC 411	80.9 %	
24	2.20	3.00	2800	112	7.5	IP44	S2	IC 411	81.6 %	
48	2.20	3.00	1700	56	12.4	IP44	S2	IC 411	81.8 %	
48	3.00	4.00	2500	78	11.5	IP44	S2	IC 411	80.1 %	

M.10.11 Type

Voltage	Output		Speed	Current	Torque	Pro.Class	Working Duty	Cooling Type	Efficiency	Weight
	V	kW								
12	1.50	2.00	1200	155	11.9	IP44	S2	IC 411	80.4 %	
24	2.20	3.00	1000	112	21.0	IP44	S2	IC 411	82.1 %	
24	3.00	4.00	2500	152	11.5	IP44	S2	IC 411	82.3 %	
48	2.20	3.00	1000	56	21.0	IP44	S2	IC 411	82.5 %	
48	2.20	3.00	1700	55	12.4	IP44	S2	IC 411	83.1 %	
48	3.00	4.00	1500	75	19.1	IP44	S2	IC 411	82.8 %	
48	3.00	4.00	2000	76	14.3	IP44	S2	IC 411	82.2 %	



ATHENS : 18, Gr. Labraki Str., 141 23 Likovrisi Tel : +30210-2817217, Fax : +30210-2814277
THESSALONIKI : INDUSTRIAL ARE OF SINDOS., O.T. 48B, 15ⁿ STREET, 570 22 Tel :+302310-796646, Fax :+302310-796645
 e-mail : valiadis@valiadis.gr - <http://www.valiadis.gr>
ROMANIA: 1, Aleea Meseriasilor, Bloc C93, Etaj 2, Ap.16, Sector 6, 061647-Bucharest, ROMANIA
 Tel : ++4021 413 5902, Fax: ++4031 815 6441, ++4031 816 5216
 e-mail: romania@valiadis.gr -<http://www.ac-motors.eu>



VALIADIS
Hellenic Motors